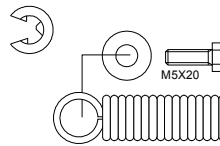
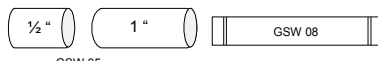
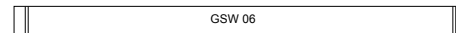
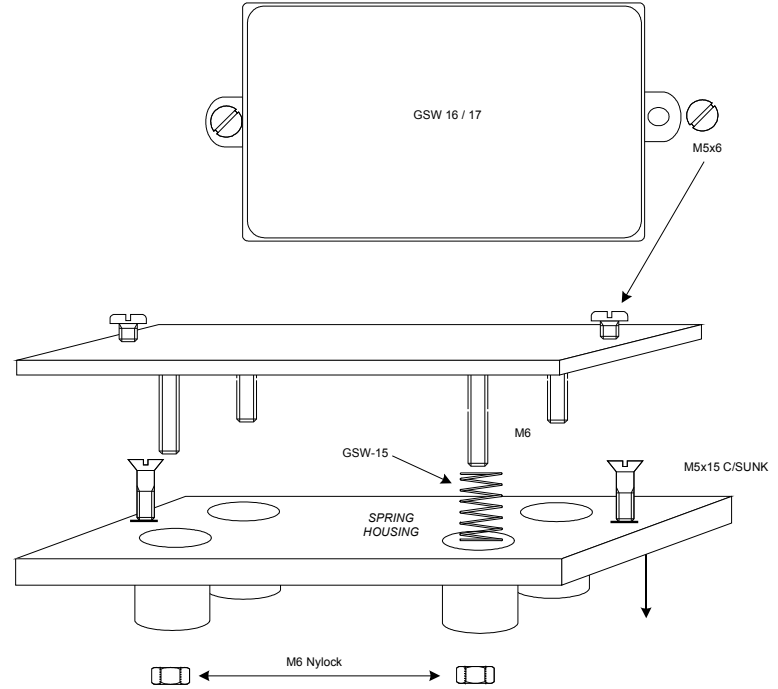
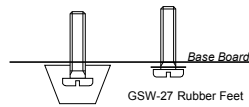
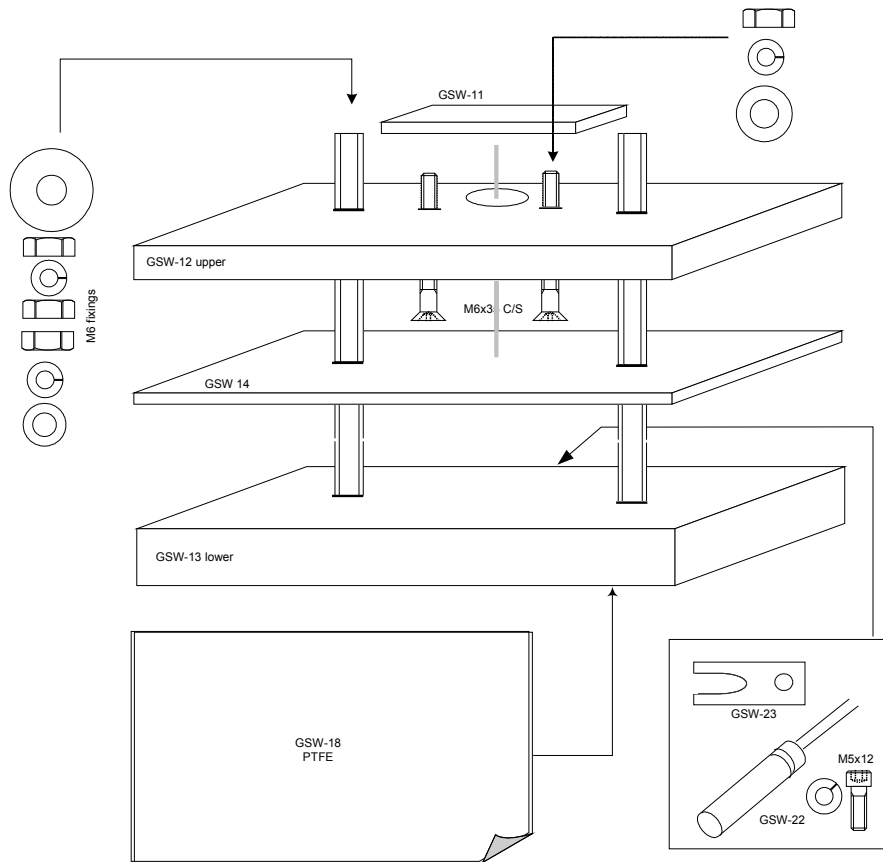
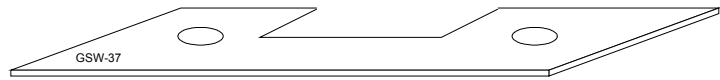
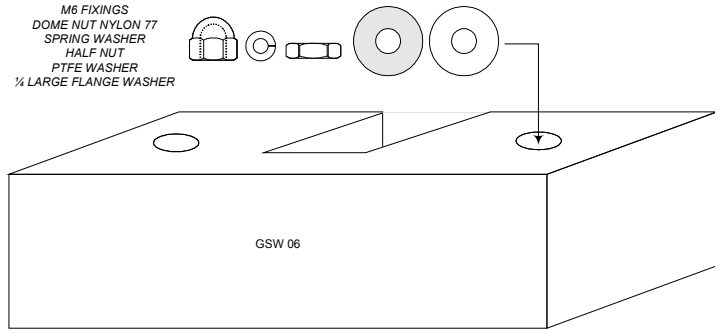
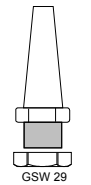
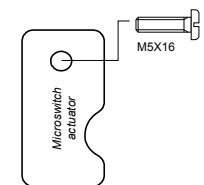
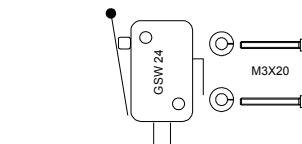
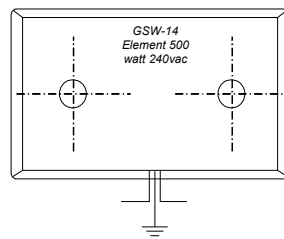
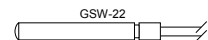
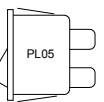
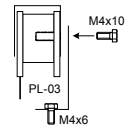
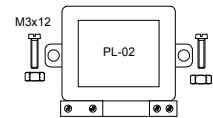
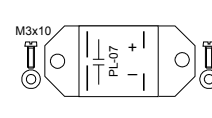
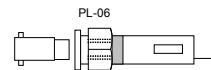


M6 FIXINGS  
 DOME NUT NYLON 77  
 SPRING WASHER  
 HALF NUT  
 PTFE WASHER  
 ¼ LARGE FLANGE WASHER



GSW 19



Studding all bright zinc plated. Metric fasteners all bright zinc plated.	<b>Goldseal Plus Parts Assembly</b>			
	© <b>WADER</b> Labelling Systems Limited			
Engineering Department	SIZE M/Imp	Date 03/08/2009	DWG NO Goldseal Plus Assembly	REV 2
Roy Goodier	SCALE	NTS	In House	SHEET 1 OF 1